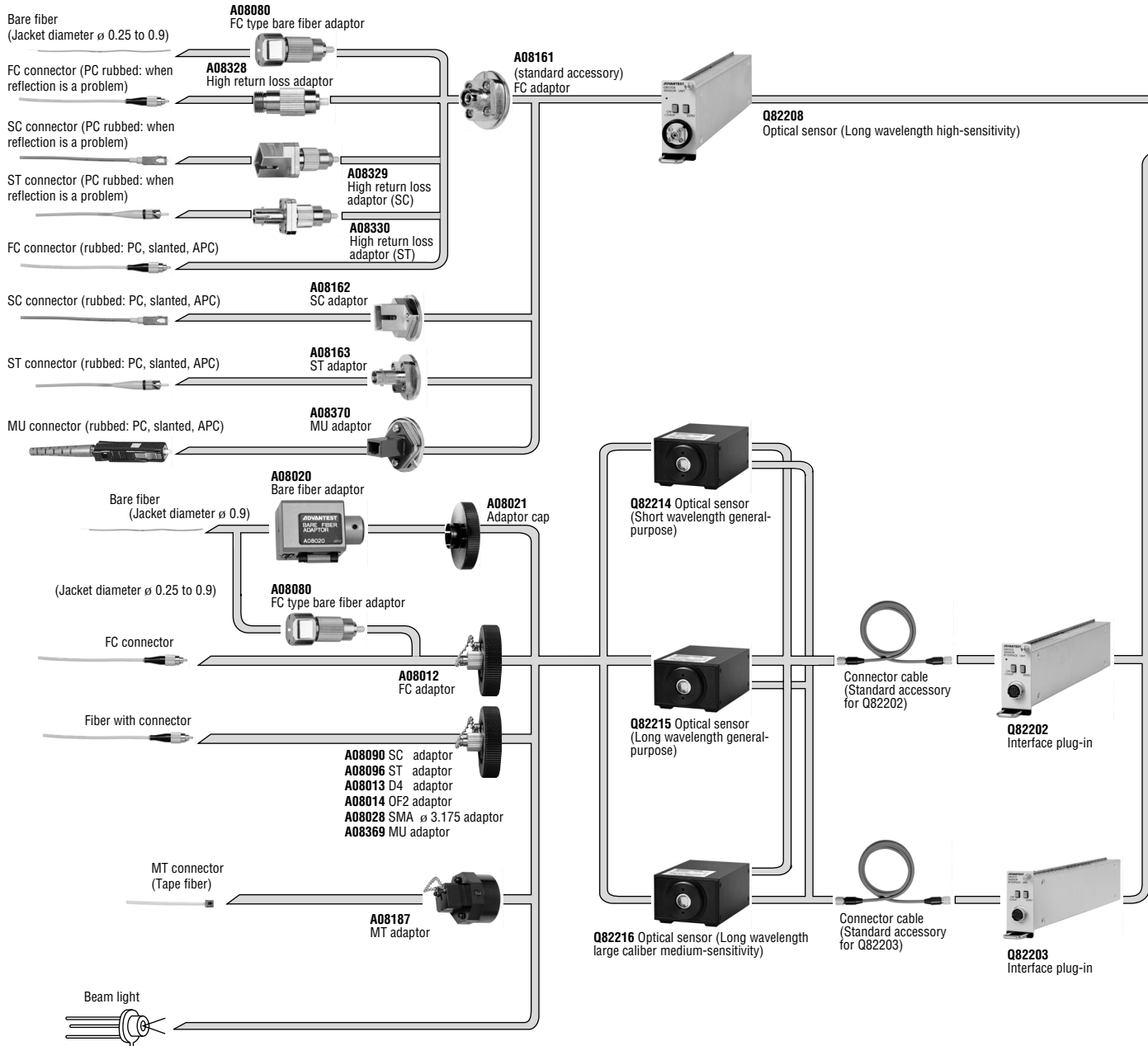


# Optical Measuring Instruments and Optical Device Test Systems

High-Accuracy, High-Sensitivity and High-Speed Optical Power Meter

## Q8221



### ● Q81201 to Q81212 Light Source Plug-in Units



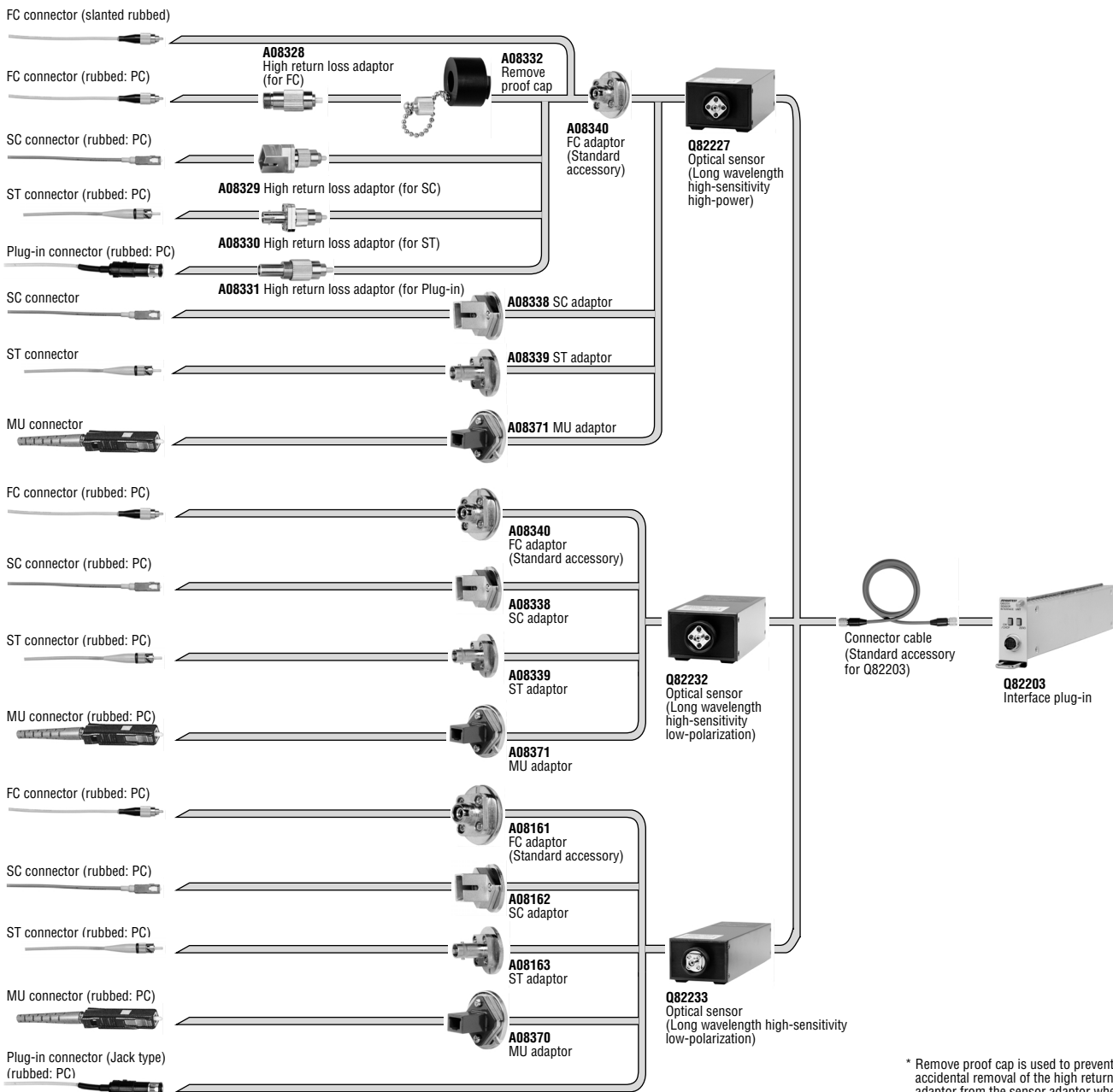
# Optical Measuring Instruments and Optical Device Test Systems

High-Accuracy, High-Sensitivity and High-Speed Optical Power Meter

Q8221



Q8221 Optical Multi Power Meter



\* Remove proof cap is used to prevent accidental removal of the high return loss adaptor from the sensor adaptor when disconnecting the fiber connector.